

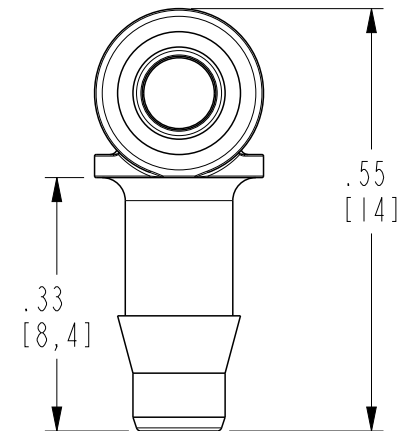
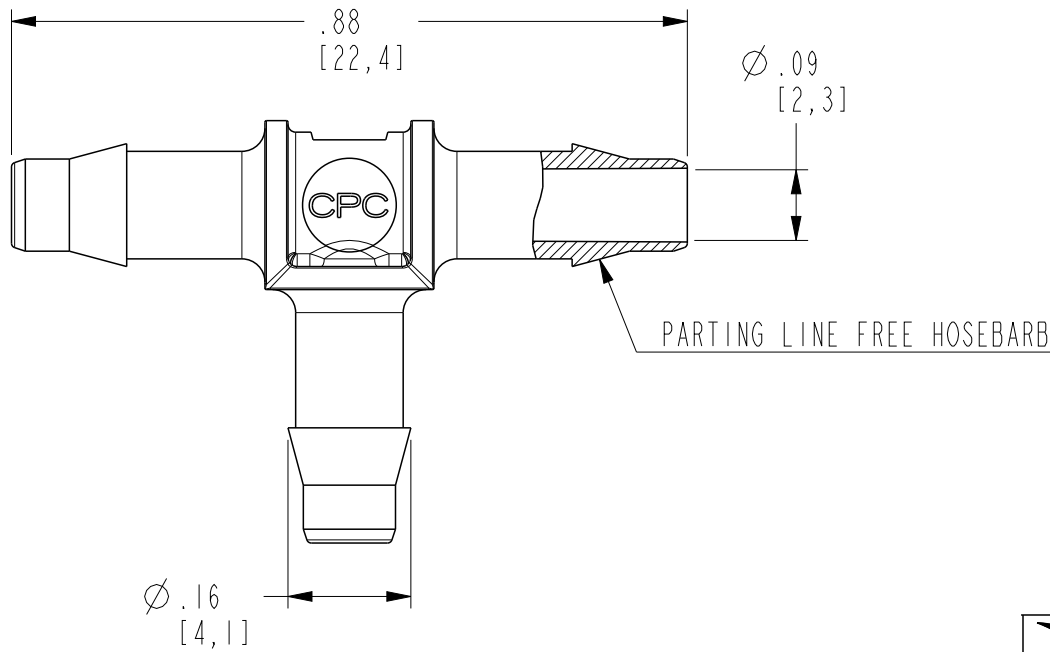
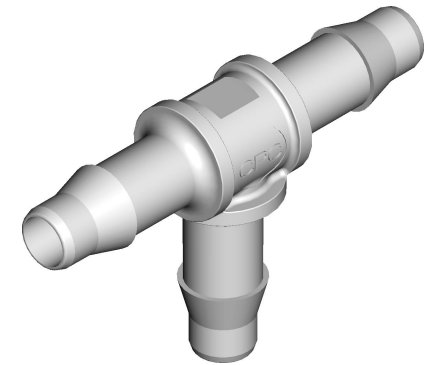
DWG NO: AHT430


FOR REFERENCE ONLY

NOTES:

1 MATERIAL: NYLON  
FDA 21 CFR 177.1500  
RoHS COMPLIANT  
COLOR: WHITE

2 ALL DIMENSIONS ARE TYPICAL



 **CPC™** *Smart fluid handling to take you forward, faster*  
[www.cpcworldwide.com](http://www.cpcworldwide.com)

PROJECT: 1/8 HB TEE UNION (A-SERIES)  
1-1005 (CUSTOMER DRAWING)

DWG BY: D.CHEN DATE: 06-29-17 CHKD BY:

MAT'L: SEE NOTE 1 DWG NO: AHT430