

DWG NO: AHTR6330

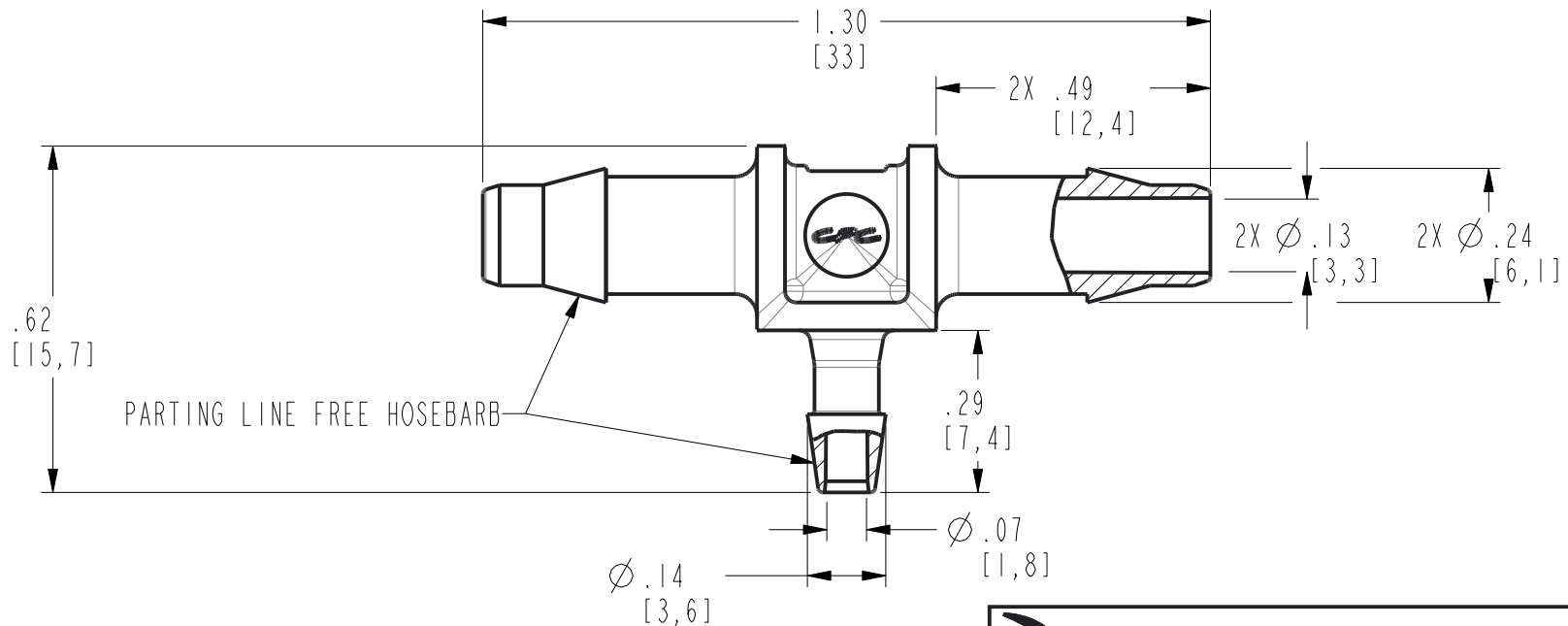
FOR REFERENCE ONLY

NOTES:

☐ MATERIAL: NYLON
FDA 21 CFR 177.1500
RoHS COMPLIANT
COLOR: WHITE



SCALE 2:1



CPC™ *Smart fluid handling to take you forward, faster*
www.cpcworldwide.com

PROJECT:	A SERIES 3/16 X STANDARD 3/32 HB TEE UNION (CUSTOMER DRAWING)	
N/A	DWG BY: LOHITH	DATE: Jan-30-18 CHKD BY:
MAT'L: SEE NOTE ☐	DWG NO: AHTR6330	