

DWG NO: AHY8

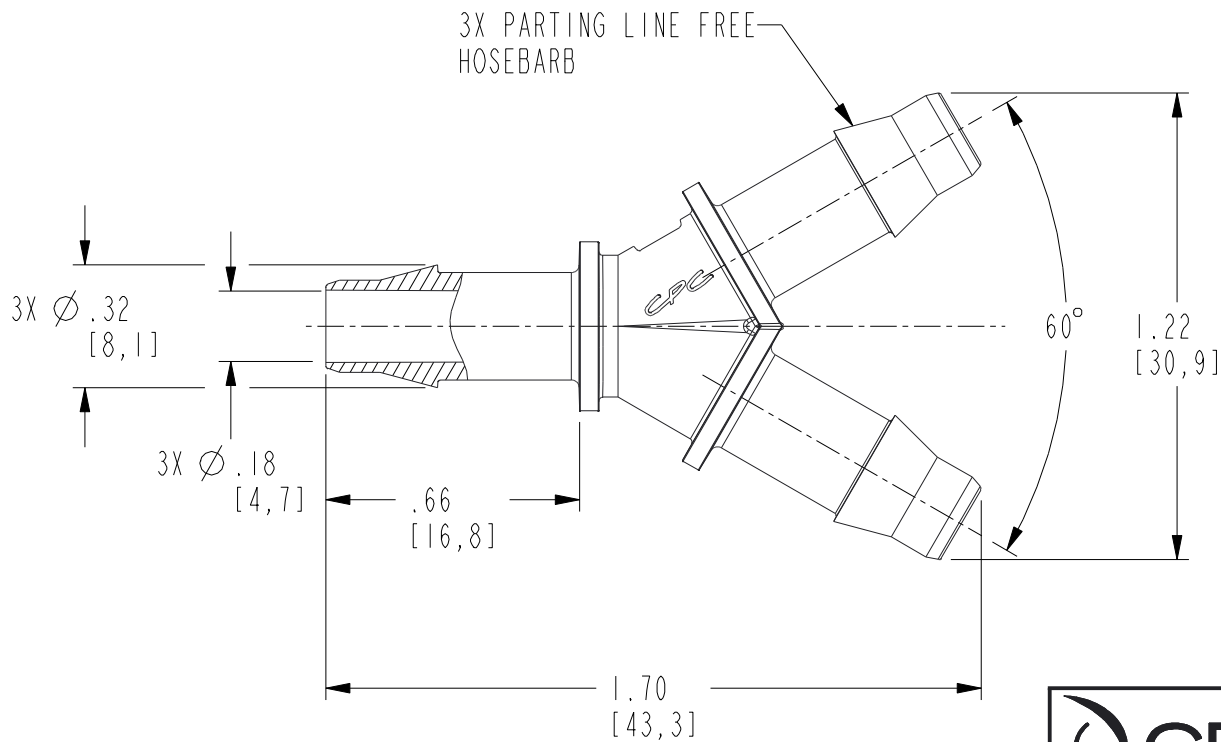
FOR REFERENCE ONLY


NOTES:

☐ MATERIAL: POLYPROPYLENE  
FDA 21 CFR 177.1500  
RoHS COMPLIANT  
ANIMAL FREE  
USP CLASS VI  
COLOR: NATURAL



SCALE 3:2



 **CPC**™ *Smart fluid handling to take you forward, faster*  
[www.cpcworldwide.com](http://www.cpcworldwide.com)

PROJECT: 1/4 HB Y-FITTING (A-SERIES)  
8728 (CUSTOMER DRAWING)

DWG BY: GJH DATE: Jan-16-18 CHKD BY:

MAT'L: SEE NOTE ☐ DWG NO: AHY8