

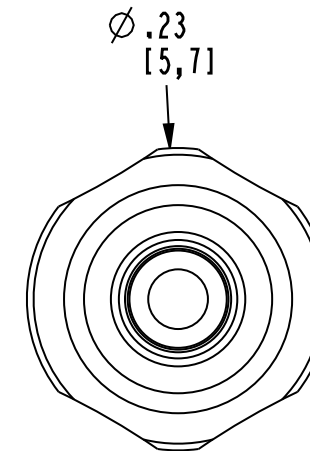
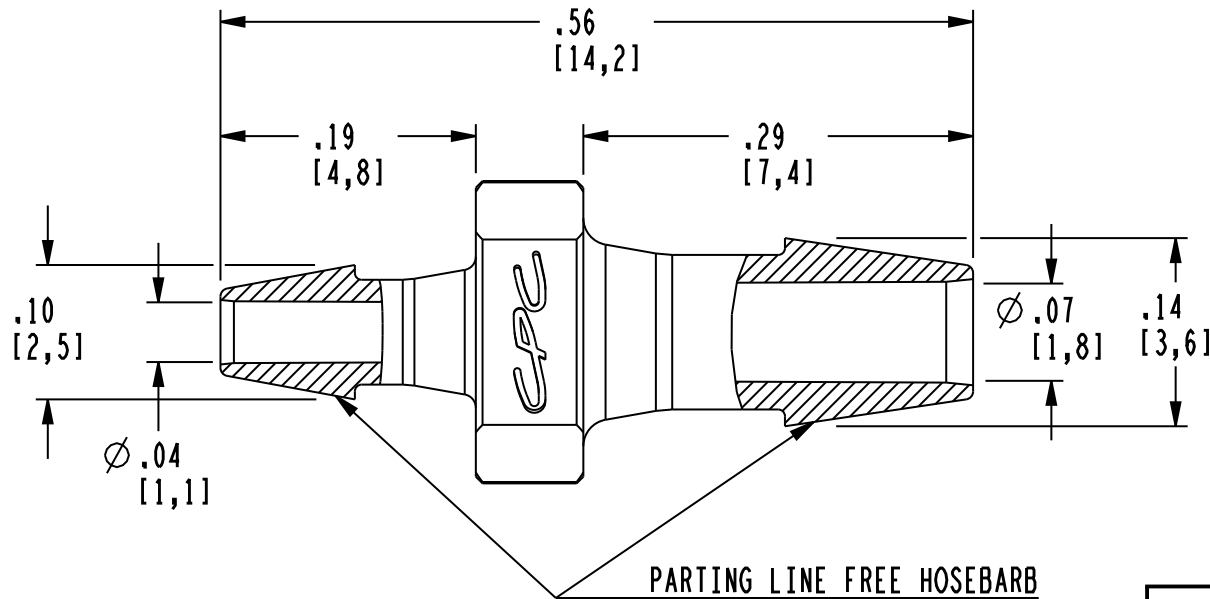
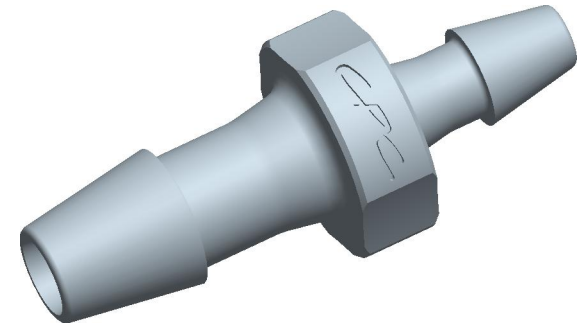
DWG NO: HSR3230-CUST


CONFIDENTIAL

**THIS PRINT CONTAINS PROPRIETARY INFORMATION,
NO REPRODUCTION OR DISCLOSURE OF THIS DOCUMENT
SHALL BE MADE WITHOUT AUTHORIZATION FROM
COLDER PRODUCTS COMPANY**

NOTES:

- 1 MATERIAL: NYLON
FDA 21 CFR 177.1500
RoHS COMPLIANT
- COLOR: WHITE



 Colder Products Company®	
www.colder.com 651 645-0091 1 800 444-2474	
PROJECT 7362	3/8 X 1/4 REDUCER (CUSTOMER DRAWING)
DWG BY: VS	DATE: 07/20/09 CHKD BY:
MATL/FIN: SEE NOTE 1	DWG NO: HSR3230-CUST