

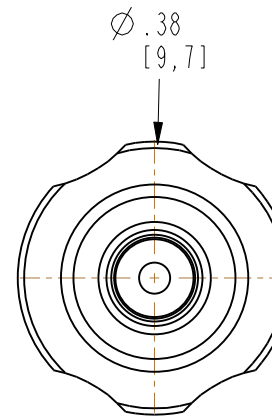
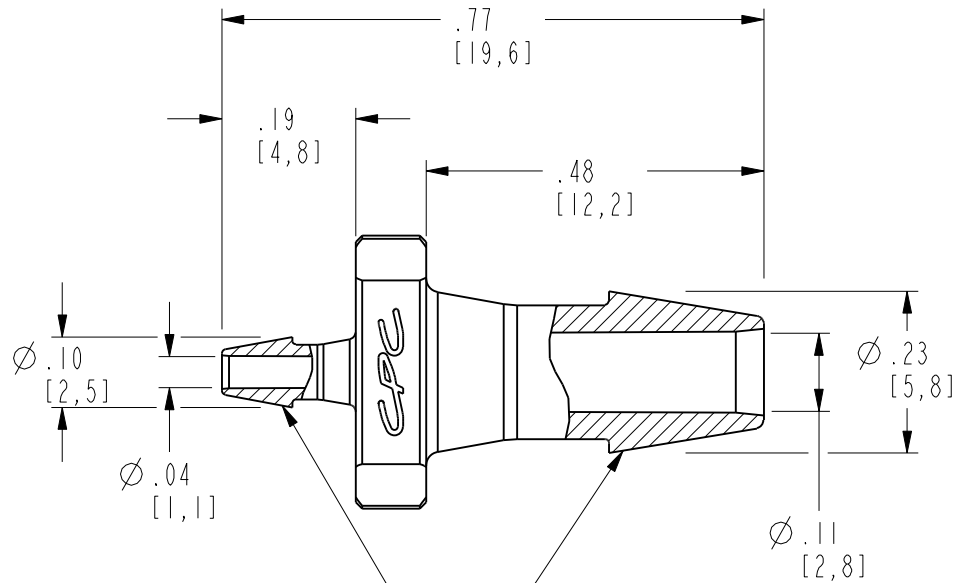
DWG NO: HSR5230

CONFIDENTIAL


**THIS PRINT CONTAINS PROPRIETARY INFORMATION,
NO REPRODUCTION OR DISCLOSURE OF THIS DOCUMENT
SHALL BE MADE WITHOUT WRITTEN AUTHORIZATION FROM
COLDER PRODUCTS COMPANY**

NOTES:

MATERIAL: NYLON
FDA 21 CFR 177.1500
RoHS COMPLIANT
COLOR: WHITE



PARTING LINE FREE HOSE BARB

 Colder Products Company®		
www.colder.com 651 645-0091 1 800 444-2474		
PROJECT 7362	5/32 X 1/16 REDUCER (CUSTOMER DRAWING)	
DWG BY: JRE	DATE: 11-02-10	CHKD BY:
MATL/FIN: SEE NOTE <input type="checkbox"/>	DWG NO: HSR5230	