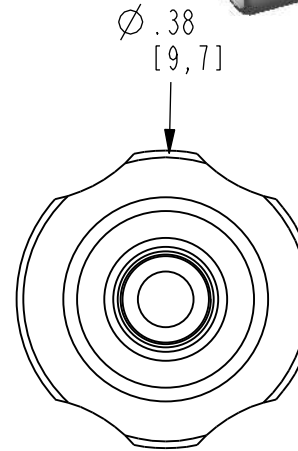
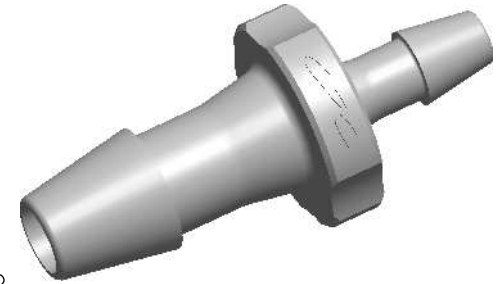
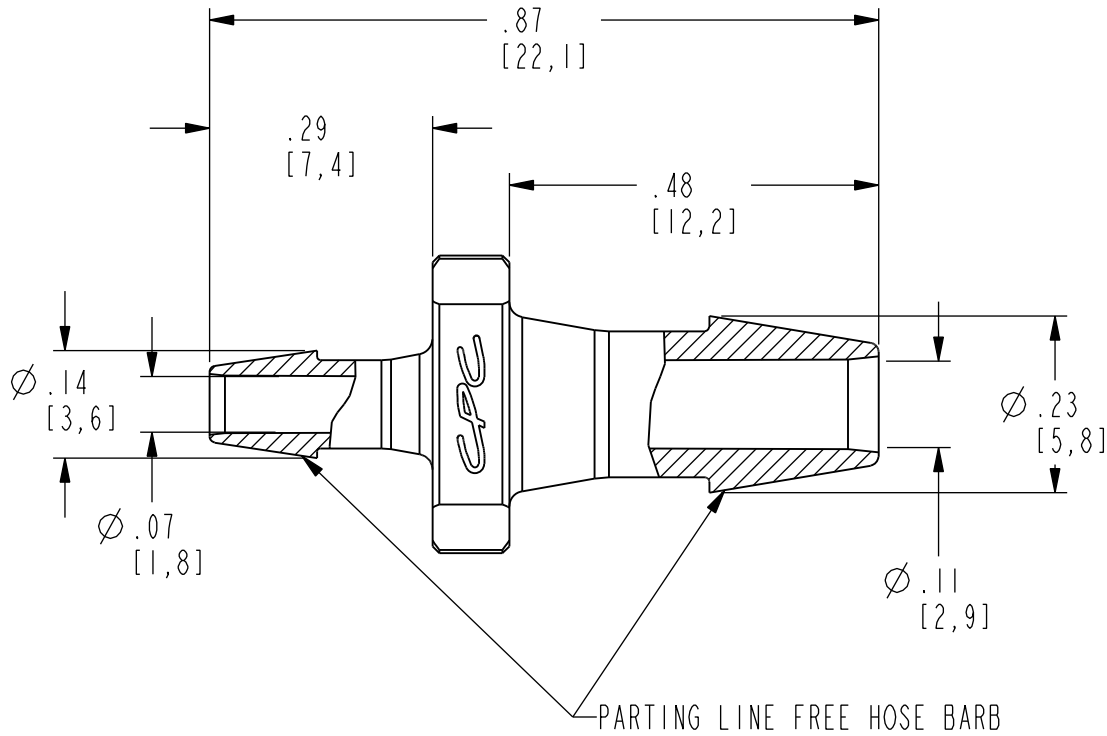


DWG NO: HSR5330

NOTES:

MATERIAL: NYLON
FDA 21 CFR 177.1500
RoHS COMPLIANT
COLOR: WHITE

CONFIDENTIAL
THIS PRINT CONTAINS PROPRIETARY INFORMATION,
NO REPRODUCTION OR DISCLOSURE OF THIS DOCUMENT
SHALL BE MADE WITHOUT WRITTEN AUTHORIZATION FROM
COLDER PRODUCTS COMPANY



CPC Colder Products Company®
www.colder.com 651 645-0091 1 800 444-2474

PROJECT 7362	5/32 X 3/32 REDUCER (CUSTOMER DRAWING)	
DWG BY: JRE	DATE: 11-02-10	CHKD BY:
MATL/FIN: SEE NOTE <input type="checkbox"/>	DWG NO: HSR5330	