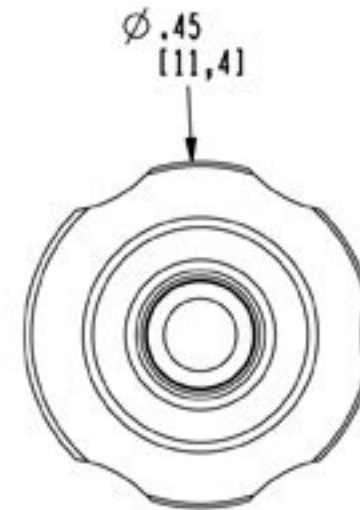
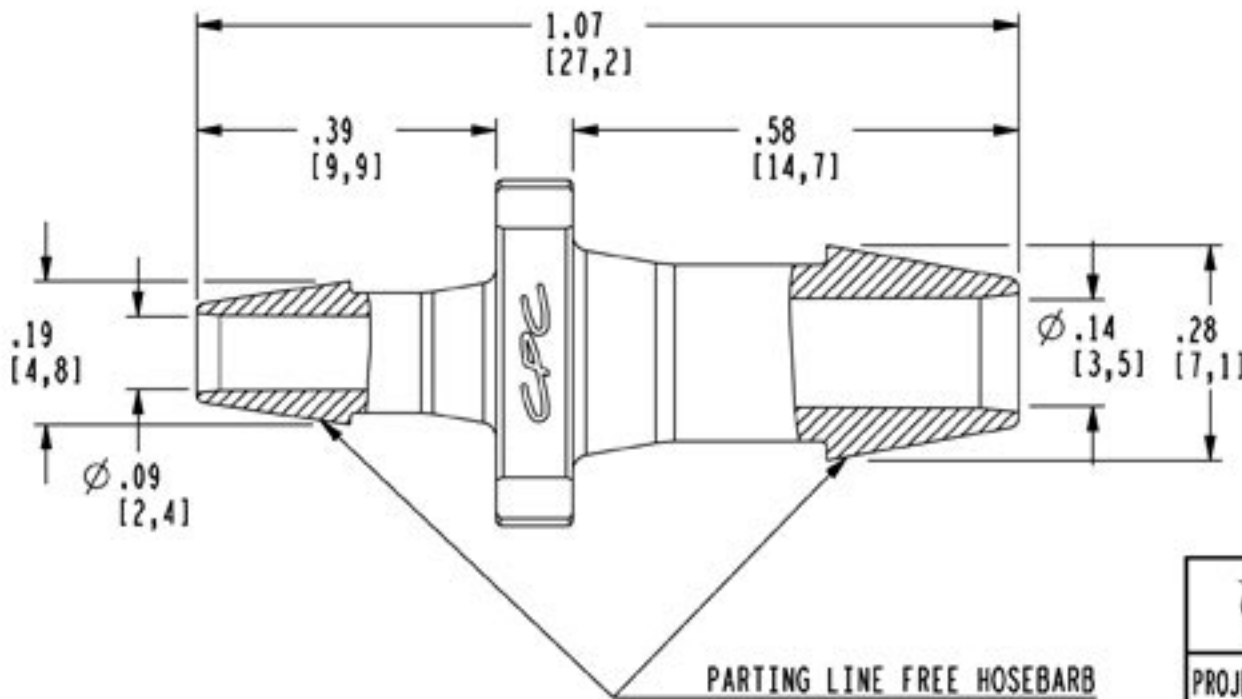


DWG NO: HSR6430-CUST

NOTES:

1 MATERIAL: NYLON
FDA 21 CFR 177.1500
RoHS COMPLIANT
COLOR: WHITE



CPC 1 800 444 2474 cpcworldwide.com	
PROJECT 7362	3/8 X 1/4 REDUCER (CUSTOMER DRAWING)
DWG BY: VS	DATE: 07/20/09 CHKD BY:
MATL/FIN: SEE NOTE 1	DWG NO: HSR6430-CUST