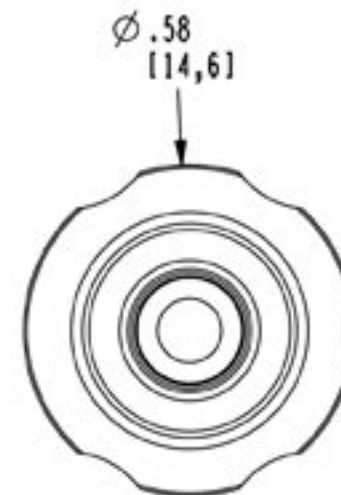
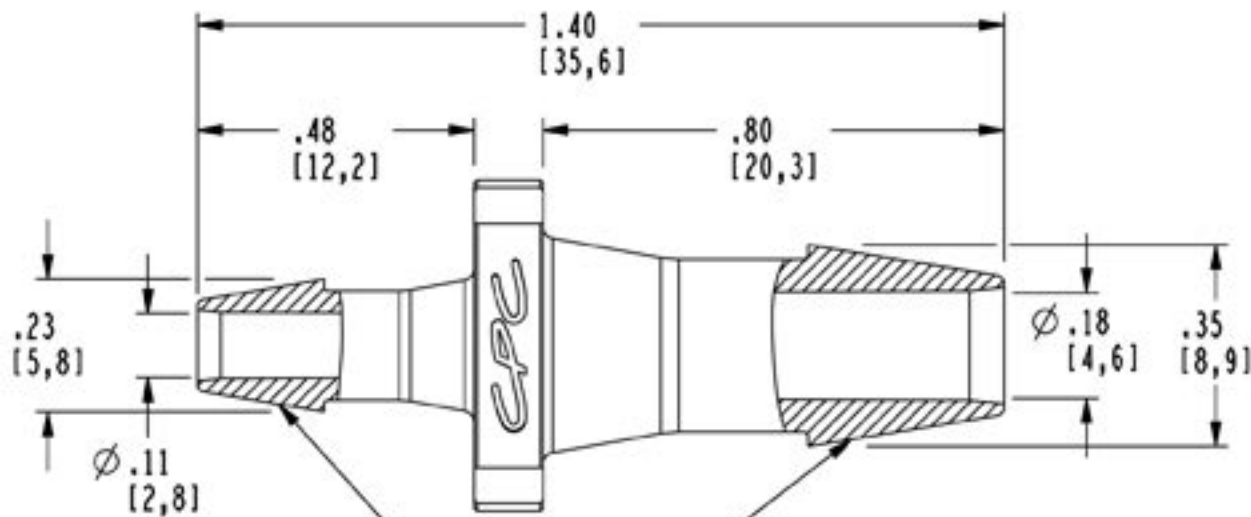


DWG NO: HSR8530-CUST

NOTES:

1 MATERIAL: NYLON  
FDA 21 CFR 177.1500  
RoHS COMPLIANT  
COLOR: WHITE



PARTING LINE FREE HOSEBARB



1 800 444 2474

cpcworldwide.com

PROJECT  
7362

3/8 X 1/4 REDUCER  
(CUSTOMER DRAWING)

DWG BY: VS

DATE: 07/20/09

CHKD BY:

MATL/FIN: SEE NOTE 1

DWG NO: HSR8530-CUST