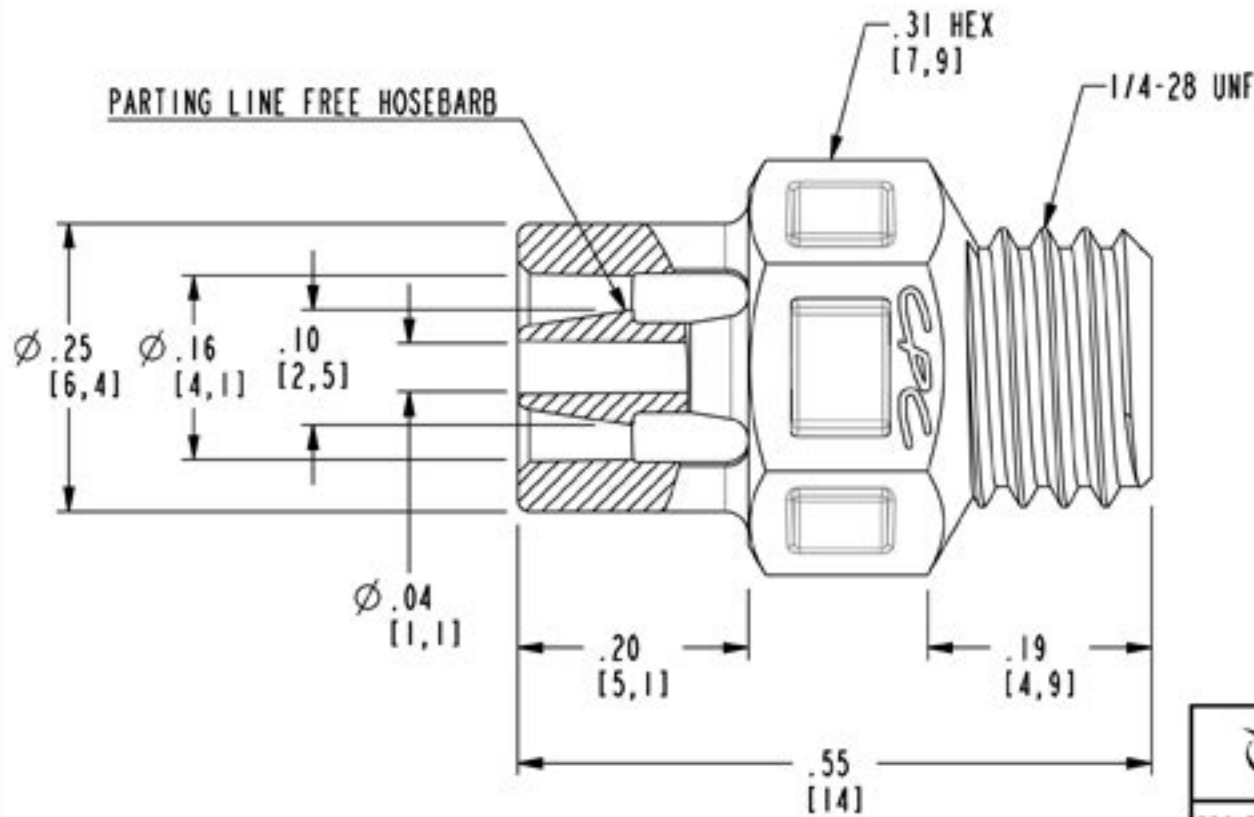


DWG NO: KS230-CUST

NOTES:

MATERIAL: NYLON  
FDA 21 CFR 177.1500  
RoHS COMPLIANT  
COLOR: WHITE



CPC 1 800 444 2474 cpcworldwide.com

PROJECT 1/16 HB X 1/4-28 UNF FITTING  
7362 (CUSTOMER DRAWING)

DWG BY: AMK DATE: 06/30/09 CHKD BY:

MATL/FIN: SEE NOTE  DWG NO: KS230-CUST