

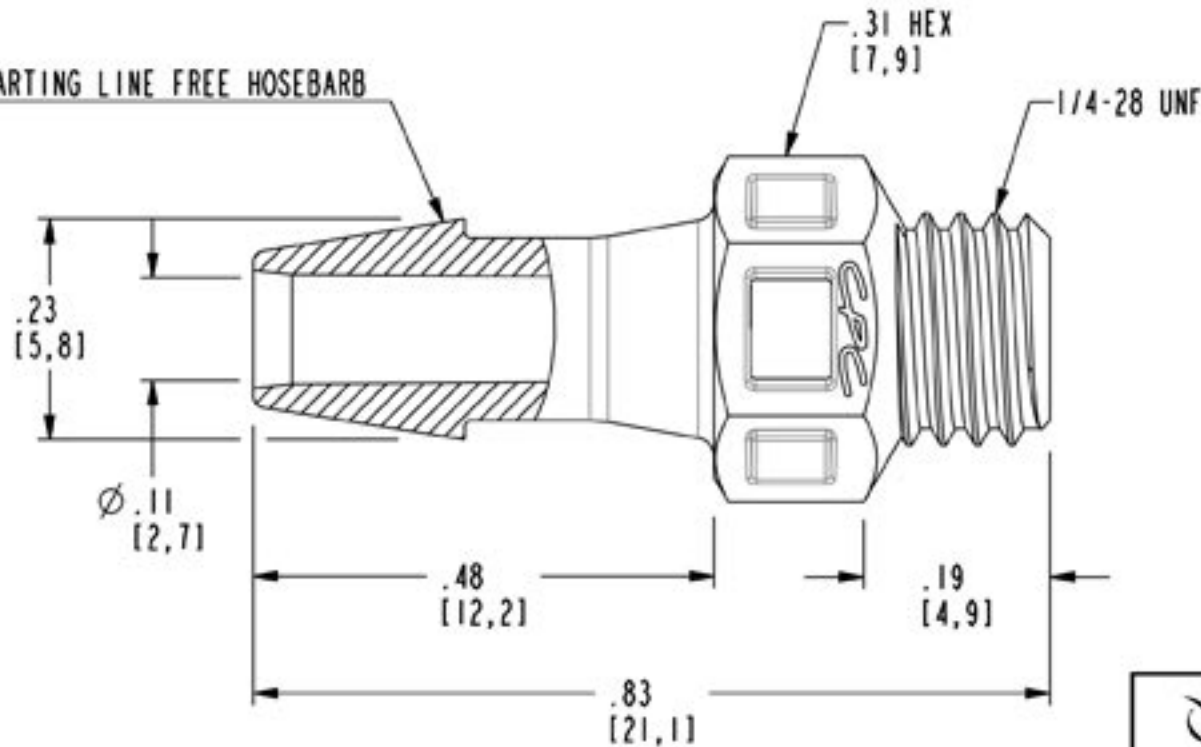
DWG NO: KS5-CUST

NOTES:

MATERIAL: POLYPROPYLENE
FDA 21 CFR 177.1500
RoHS COMPLIANT
ANIMAL FREE
USP CLASS VI
COLOR: NATURAL



PARTING LINE FREE HOSEBARB



CPC 1 800 444 2474 cpcworldwide.com

PROJECT 1/4-28 NUT, ACETAL, 1/8 TUBING
7362 (CUSTOMER DRAWING)

DWG BY: AMK DATE: 06/30/09 CHKD BY:

MATL/FIN: SEE NOTE DWG NO: KS5-CUST