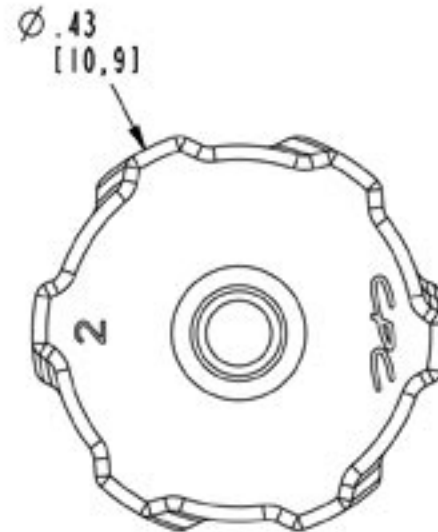
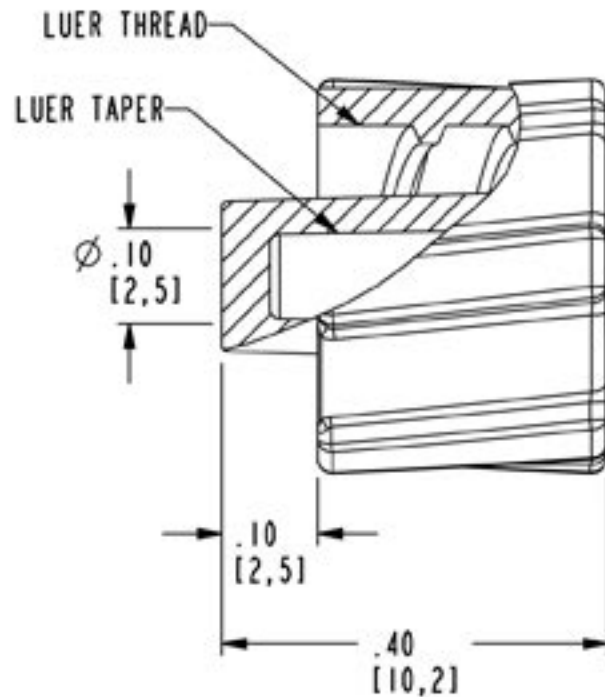


DWG NO: LPLUG30-CUST

NOTES:

1 MATERIAL: NYLON
FDA 21 CFR 177.1500
RoHS COMPLIANT
COLOR: WHITE



CPC 1 800 444 2474 cpcworldwide.com		
PROJECT 7362	MALE LUER INTEGRAL LOCK RING PLUG (CUSTOMER DRAWING)	
DWG BY: KRN	DATE: 07/01/09	CHKD BY:
MATL/FIN: SEE NOTE 1		DWG NO: LPLUG30-CUST