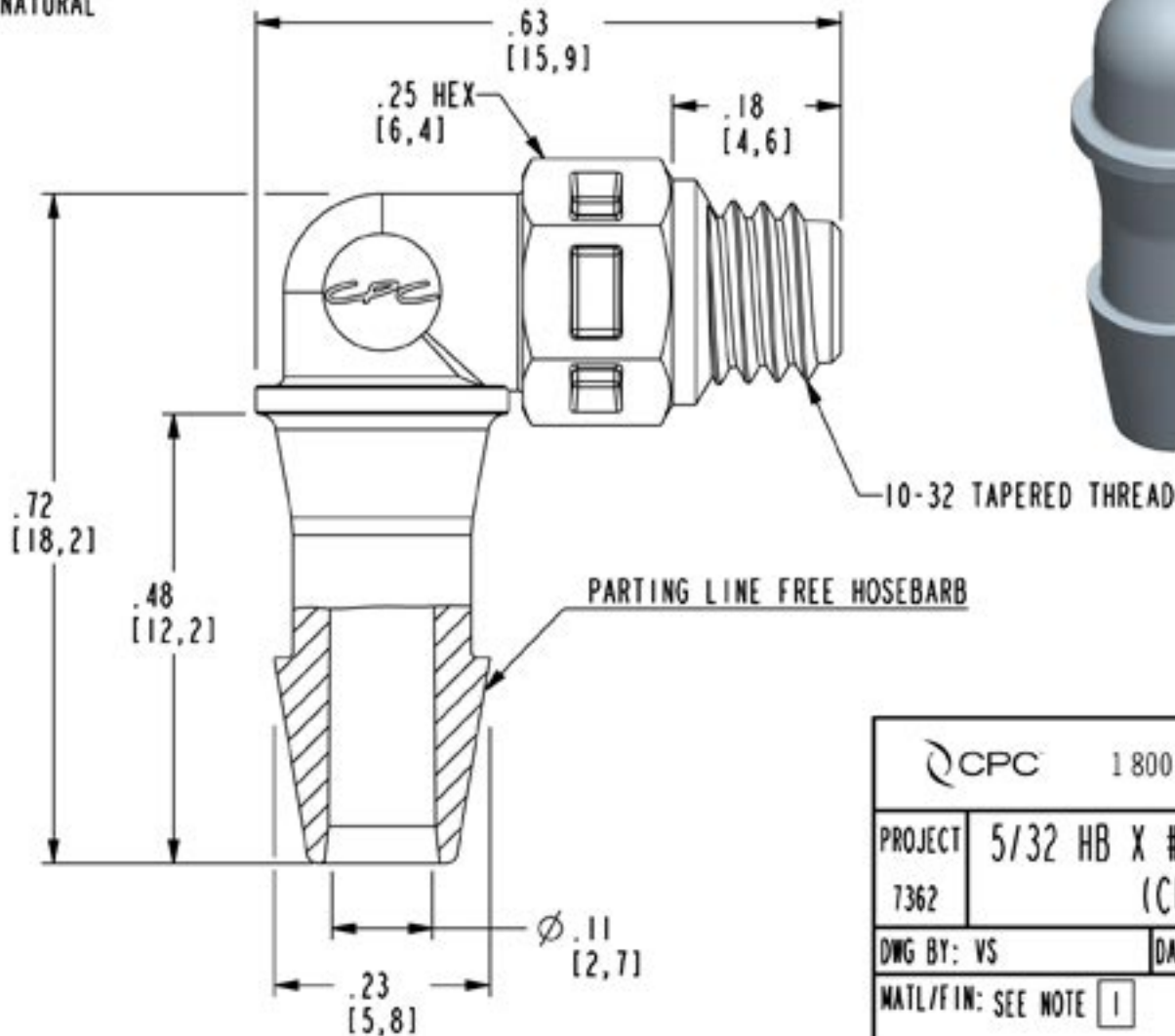


DWG NO: ME5-CUST

NOTES:

1 MATERIAL: POLYPROPYLENE
FDA 21 CFR 177.1500
RoHS COMPLIANT
ANIMAL FREE
USP CLASS VI
COLOR: NATURAL



CPC 1 800 444 2474 cpcworldwide.com

PROJECT 5/32 HB X #10-32 UNF TAPERED ELBOW
7362 (CUSTOMER DRAWING)

DWG BY: VS DATE: 07/13/09 CHKD BY:

MATL/FIN: SEE NOTE 1 DWG NO: ME5-CUST