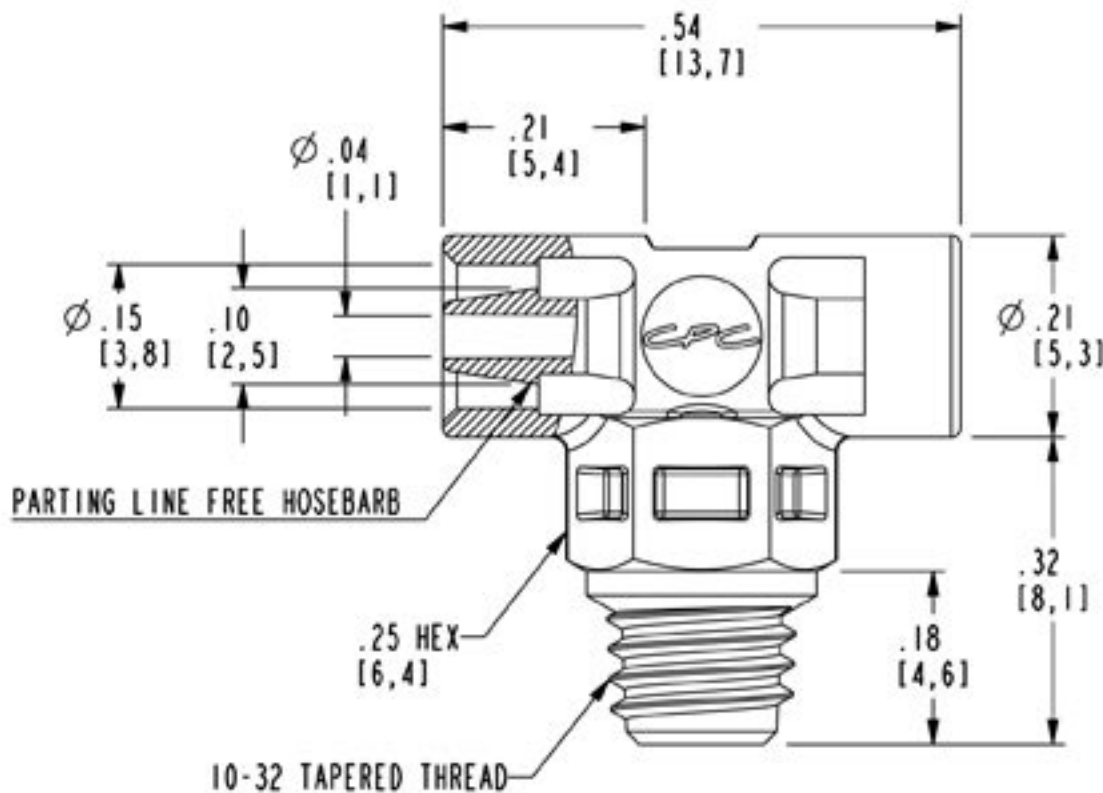


DWG NO: MT231-CUST

NOTES:

1 MATERIAL: NYLON  
FDA 21 CFR 177.1500  
RoHS COMPLIANT  
COLOR: BLACK

2 ALL DIMENSIONS ARE TYPICAL



CPC 1 800 444 2474 cpcworldwide.com		
PROJECT 7362	1/16 HB TEE X #10-32 UNF TAPERED FITTING (CUSTOMER DRAWING)	
DWG BY: AMK	DATE: 07/06/09	CHKD BY:
MATL/FIN: SEE NOTE 1		DWG NO: MT231-CUST