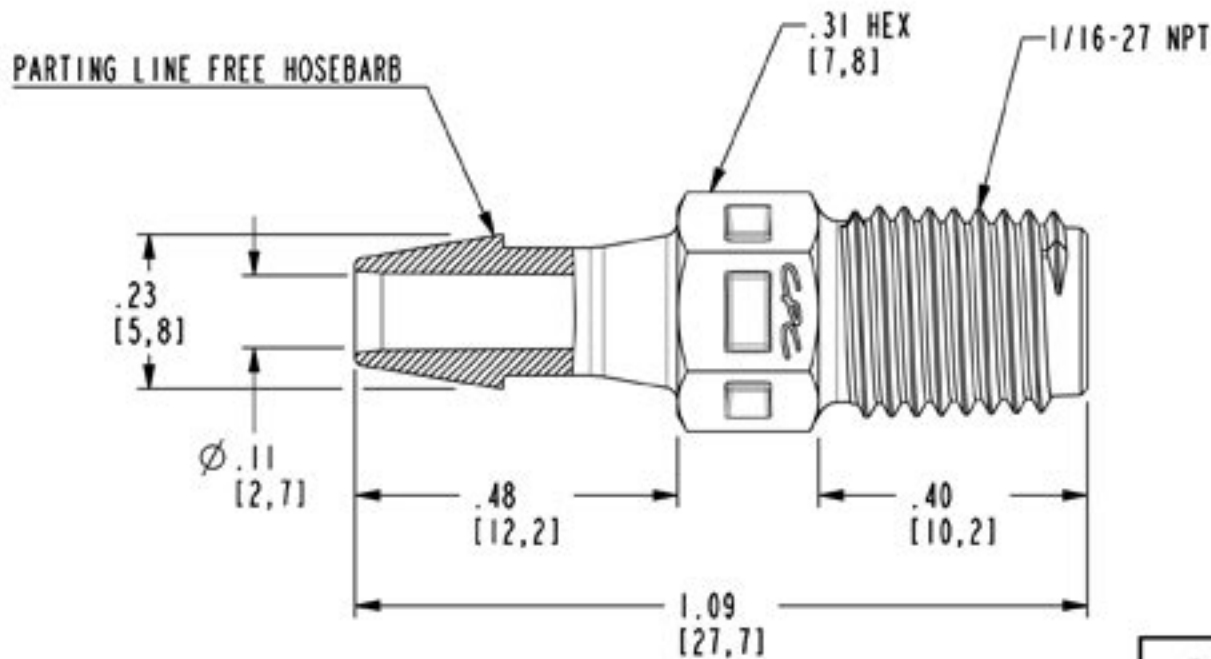


DWG NO: N2S530-CUST

NOTES:

1 MATERIAL: NYLON
FDA 21 CFR 177.1500
RoHS COMPLIANT
COLOR: WHITE



CPC 1 800 444 2474 cpcworldwide.com

PROJECT 1/16 NPT X 5/32 HB CONNECTOR
7362 (CUSTOMER DRAWING)

DWG BY: PRA DATE: 07-08-09 CHKD BY:

MATL/FIN: SEE NOTE 1 DWG NO: N2S530-CUST