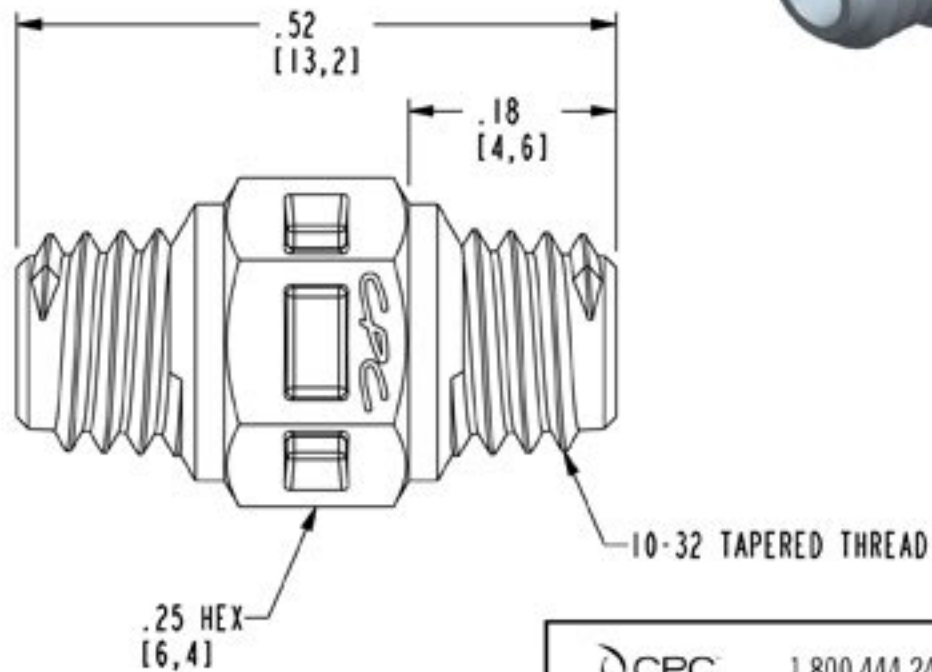


DWG NO: N3230-CUST

NOTES:

1 MATERIAL: NYLON
FDA 21 CFR 177.1500
RoHS COMPLIANT
COLOR: WHITE

1 ALL DIMENSIONS ARE TYPICAL



1 800 444 2474

cpcworldwide.com

PROJECT #10-32 UNF TAPERED X #10-32 UNF TAPERED
7362 (CUSTOMER DRAWING)

DWG BY: VS

DATE: 07/13/09

CHKD BY:

MATL/FIN: SEE NOTE 1

DWG NO: N3230-CUST