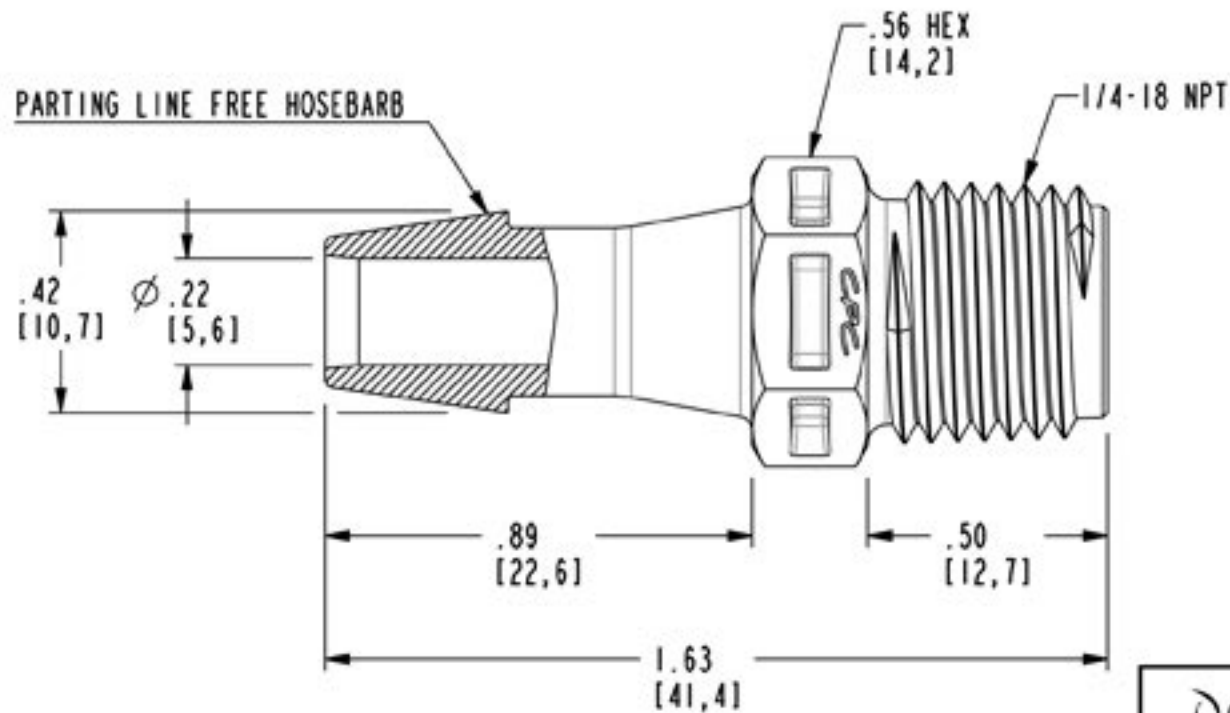


DWG NO: N8S1030-CUST

NOTES:

1 MATERIAL: NYLON
FDA 21 CFR 177.1500
RoHS COMPLIANT
COLOR: WHITE



CPC 1 800 444 2474 cpcworldwide.com

PROJECT 7362	1/4 NPT X 5/16 HB FITTING (CUSTOMER DRAWING)		
DWG BY: DHB	DATE: 06/26/09	CHKD BY:	
MATL/FIN: SEE NOTE 1		DWG NO: N8S1030-CUST	