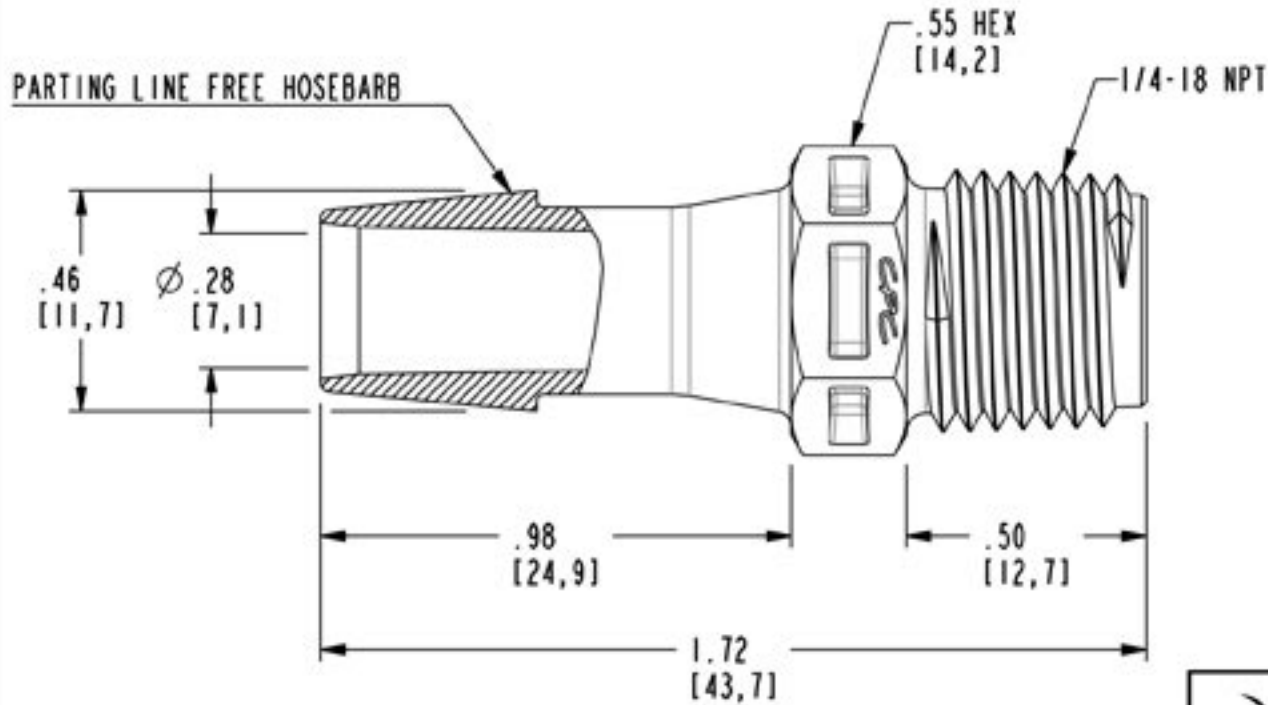


DWG NO: N8S12-CUST

NOTES:

1 MATERIAL: POLYPROPYLENE  
FDA 21 CFR 177.1500  
RoHS COMPLIANT  
ANIMAL FREE  
USP CLASS VI  
COLOR: NATURAL



CPC		1 800 444 2474	cpcworldwide.com
PROJECT 7362	1/4 NPT X 3/8 HB FITTING (CUSTOMER DRAWING)		
DWG BY: DHB	DATE: 06/24/09	CHKD BY:	
MATL/FIN: SEE NOTE 1		DWG NO: N8S12-CUST	