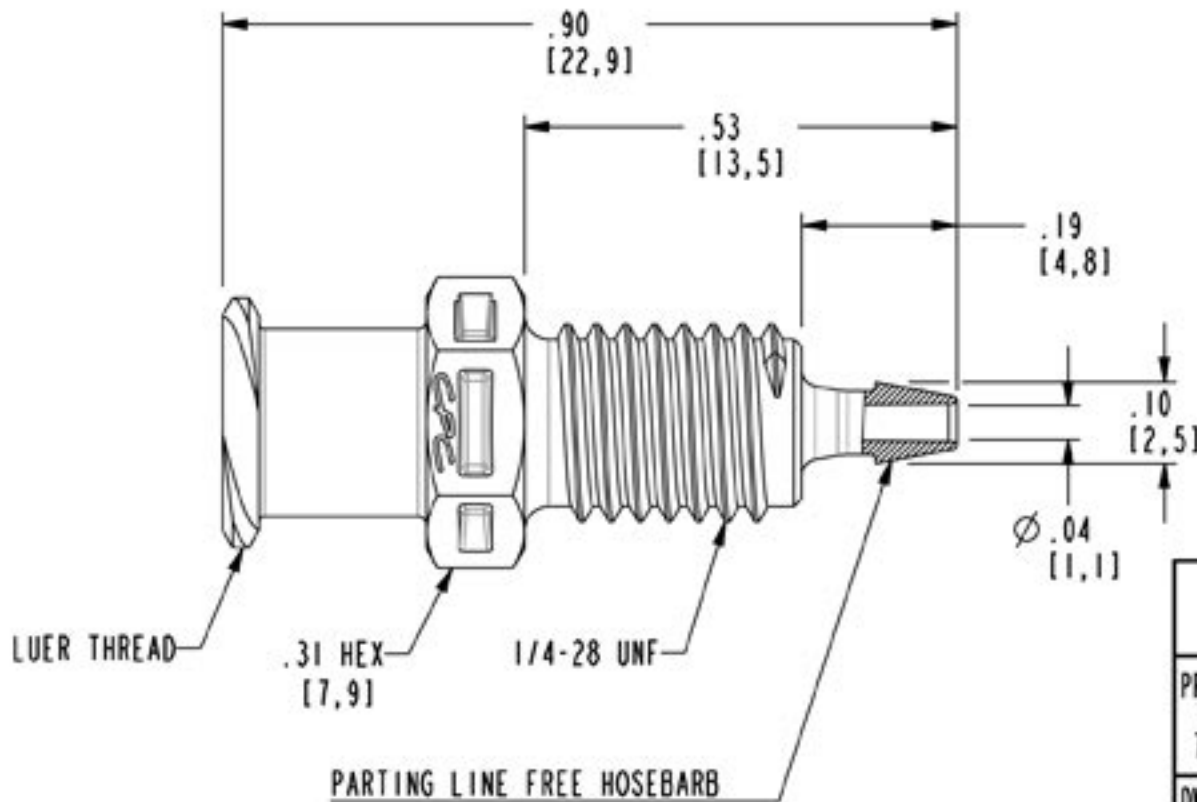


DWG NO: PMLF2130-CUST

NOTES:

- 1 MATERIAL: NYLON
FDA 21 CFR 177.1500
RoHS COMPLIANT
COLOR: WHITE
- 2 PANEL NUT (PMNUTSST) AND COLOR-CODE RING (PMRLXX)
ARE AVAILABLE SEPERATELY



CPC 1 800 444 2474 cpcworldwide.com

PROJECT 1/16 HB PANEL MOUNT FEMALE LUER
7362 (CUSTOMER DRAWING)

DWG BY: PRA DATE: 06/24/09 CHKD BY:

MATL/FIN: SEE NOTE 1 DWG NO: PMLF2130-CUST