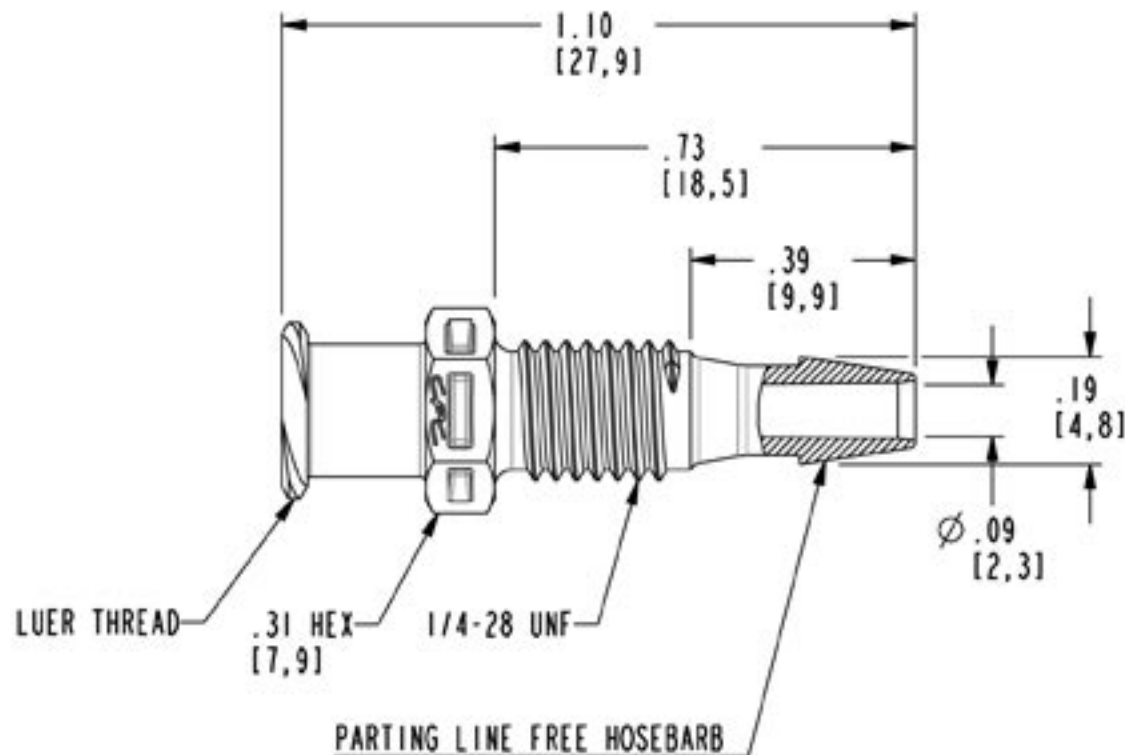


DWG NO: PMLF41-CUST

NOTES:

- 1 MATERIAL: POLYPROPYLENE
FDA 21 CFR 177.1500
RoHS COMPLIANT
ANIMAL FREE
USP CLASS VI
COLOR: NATURAL
- 2 PANEL NUT (PMNUTSST) AND COLOR-CODE RING (PMRLXX)
ARE AVAILABLE SEPERATELY



CPC 1 800 444 2474 cpcworldwide.com		
PROJECT 7362	1/8 HB PANEL MOUNT FEMALE LUER (CUSTOMER DRAWING)	
DWG BY: AMK	DATE: 07/06/09	CHKD BY:
MATL/FIN: SEE NOTE 1		DWG NO: PMLF41-CUST