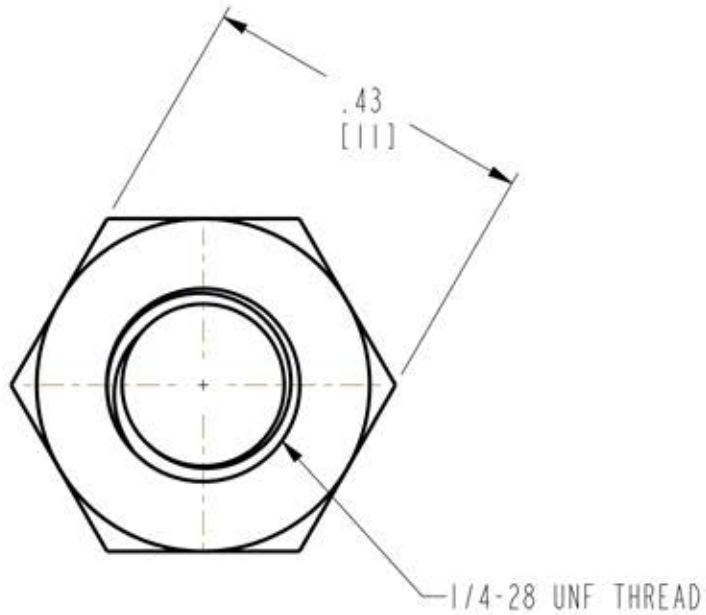


DWG NO: PMNUTSST

**NOTES:**

MATERIAL: 18-8 SST



SCALE 3:1



1 800 444 2474

cpcworldwide.com

**NUT JAM 1/4-28 SST  
(CUSTOMER DRAWING)**

DWG BY: GJH

DATE: 01-30-14

CHKD BY:

MATL/FIN: SEE NOTE

DWG NO: PMNUTSST