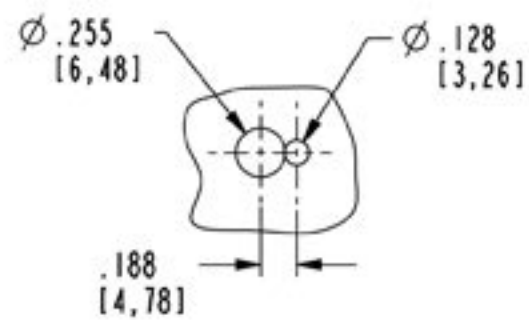
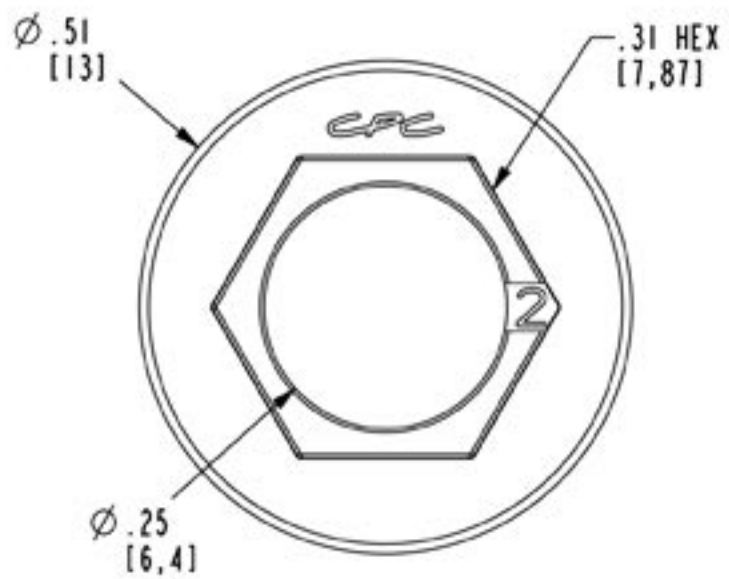
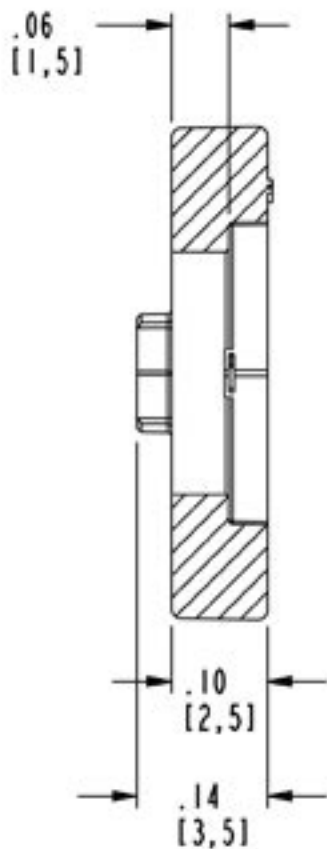


DWG NO: PMRL-CUST

NOTES:

1 MATERIAL: POLYPROPYLENE
FDA 21 CFR 177.1500
RoHS COMPLIANT
ANIMAL FREE
USP CLASS VI
COLOR: NATURAL



PANEL HOLE DETAIL

CPC 1 800 444 2474 cpcworldwide.com		
PROJECT 7362	RING PANEL MOUNT COLOR CODE (CUSTOMER DRAWING)	
DWG BY: UNV	DATE: 07-20-09	CHKD BY:
MATL/FIN: SEE NOTE 1		DWG NO: PMRL-CUST