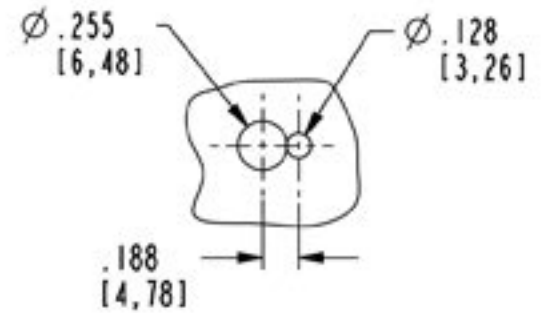
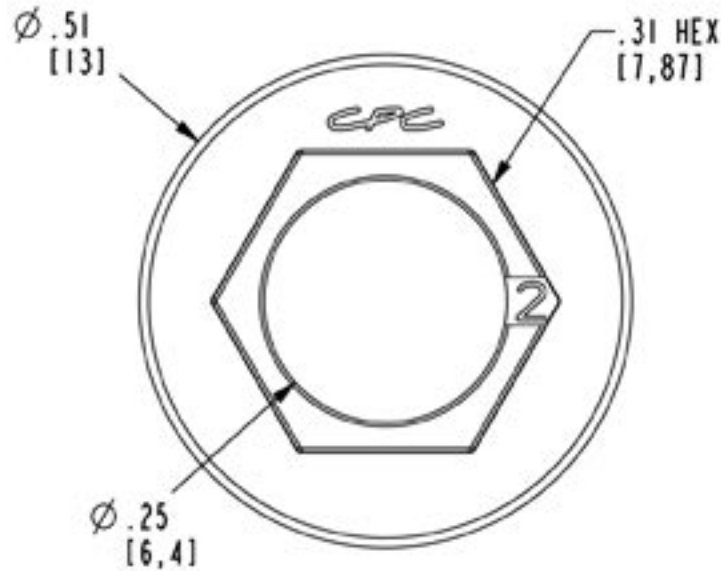
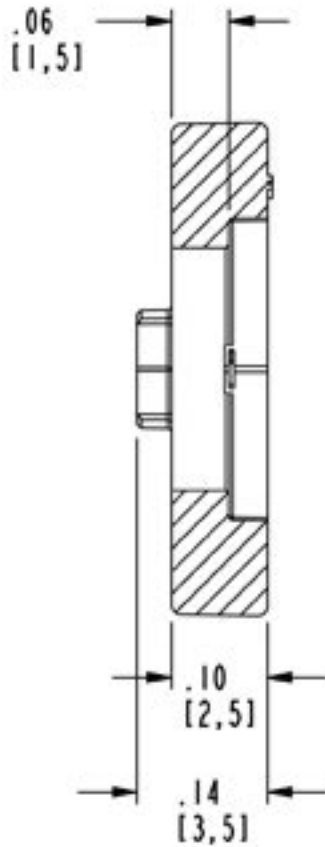


DWG NO: PMRL31-CUST

NOTES:

1 MATERIAL: NYLON  
FDA 21 CFR 177.1500  
RoHS COMPLIANT  
COLOR: BLACK



PANEL HOLE DETAIL



1 800 444 2474

cpcworldwide.com

PROJECT  
7362

RING PANEL MOUNT COLOR CODE  
(CUSTOMER DRAWING)

DWG BY: UNV

DATE: 07-20-09

CHKD BY:

MATL/FIN: SEE NOTE 1

DWG NO: PMRL31-CUST