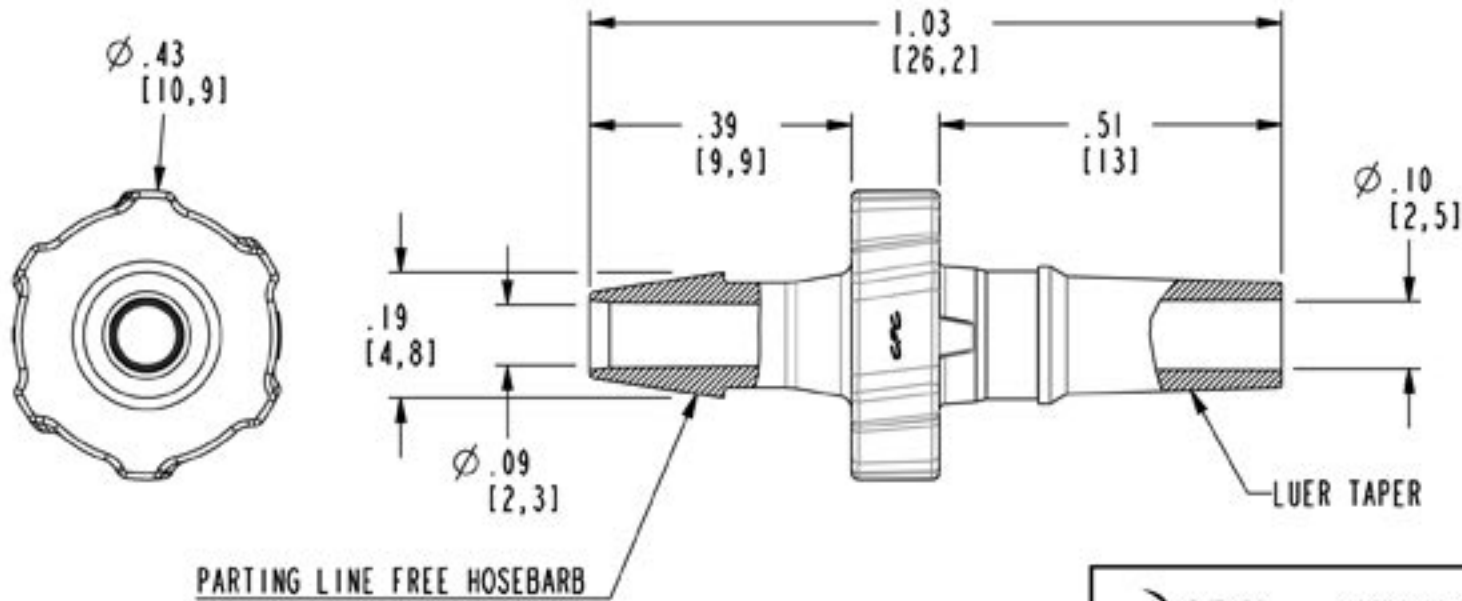


DWG NO: SLM4131-CUST

NOTES:

1 MATERIAL: NYLON  
FDA 21 CFR 177.1500  
RoHS COMPLIANT  
COLOR: BLACK

2 CAN BE USED WITH LMSRXX (ROTATING LUER LOCK RING) OR LMSLXX (STATIONARY LUER LOCK RING)



1 800 444 2474

cpcworldwide.com

PROJECT  
7362

1/8 HB MALE SLIP LUER  
(CUSTOMER DRAWING)

DWG BY: PRA

DATE: 06-26-09

CHKD BY:

MATL/FIN: SEE NOTE 1

DWG NO: SLM4131-CUST