

STERILE
TI BLE
X ASEPTIQUICK DC CONNECTOR
F LE
RELIABLE

ASEPTIQUICK® DC CONNECTOR

Patent Pending

Actual size

AseptiQuik® DC Connectors are the first all-in-one single-use connection technology to offer both a sterile connect and a sterile disconnect. With the AseptiQuik DC Connector, manufacturers can make a quick and easy sterile connection and disconnection, even in non-sterile environments.

AseptiQuik DC's intuitive "CLICK-PULL-TWIST" design enables users to transfer media easily with less risk of operator error. After transfer is complete, the connector features a simple one-step disconnection that maintains media sterility by preventing external organisms from entering into the media flow path. The connector's robust design and automatic shutoff valves provide reliable performance without the need for clamps, fixtures or tube welders.

AseptiQuik DC Specifications

Pressure: Up to 60 psi, 4.1 bar

Temperature:
39°F to 104°F (4°C to 40°C)

Sterilization:
Gamma: Up to 50kGy irradiation

Tubing Sizes:
1/4" ID hose barb (6.4mm), 3/8" ID hose barb (9.5mm) and 1/2" ID hose barb (12.7mm)

Materials:
Main Components:
Polycarbonate (white), USP Class VI, ADCF

Lock Ring:
Polycarbonate (blue), USP Class VI, ADCF

Pull Tabs:
Polycarbonate (blue, standard version),
USP Class VI, ADCF

Caps:
Polypropylene (clear), USP Class VI, ADCF

Seals:
Silicone (clear), platinum-cured, USP Class VI,
ADCF

Membrane:
Polyethylene (standard version), USP Class VI,
ADCF

Springs:
316 stainless steel

Features

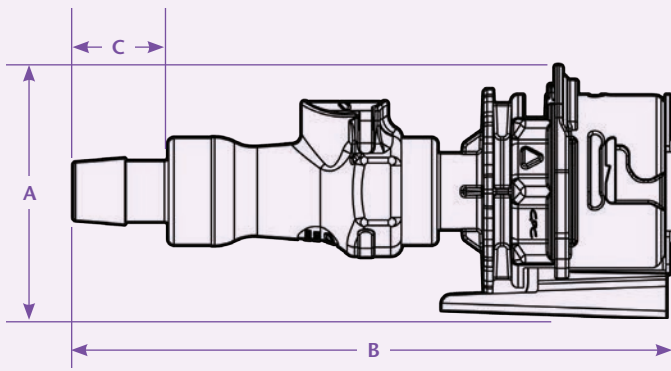
- CLICK-PULL-TWIST Design
- Simple One-Step Disconnection
- Membrane Pull Tabs
- Robust Construction
- Colder Click
- Market Availability

Benefits

- Intuitive three-step connection process reduces risk of operator error
- Maintains media sterility in each half by preventing external organisms from entering the flow path
- Ensure simultaneous and secure removal of both membranes
- Repeatable and reliable performance with no additional hardware required
- Audible confirmation of completed assembly steps
- Open access through multiple supply chain partners

Visit us at
www.colder.com/aseptiquik
or call 651-645-0091 for more information.

Product Dimensions



- A = Height/Diameter (With cap)
- B = Total Length (With cap)
- C = Hose Barb Length

Coupling Bodies



POLYCARBONATE with Blue Pull Tabs

TERMINATION	PART NO.	A	B	C
1/4" HOSE BARB	AQCDC17004	2.36 (59.9)	5.33 (135.4)	0.60 (15.2)
3/8" HOSE BARB	AQCDC17006	2.36 (59.9)	5.33 (135.4)	0.60 (15.2)
1/2" HOSE BARB	AQCDC17008	2.36 (59.9)	5.62 (142.7)	0.89 (22.6)

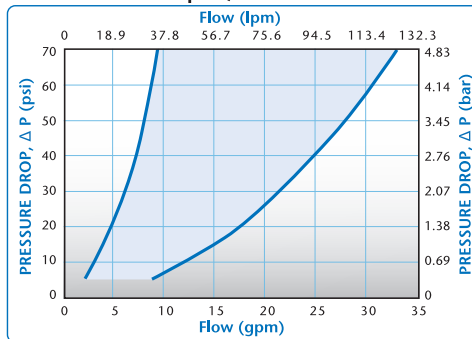
Coupling Inserts



POLYCARBONATE with Blue Pull Tabs

TERMINATION	PART NO.	A	B	C
1/4" HOSE BARB	AQCDC22004	2.50 (63.5)	5.41 (137.4)	0.60 (15.2)
3/8" HOSE BARB	AQCDC22006	2.50 (63.5)	5.41 (137.4)	0.60 (15.2)
1/2" HOSE BARB	AQCDC22008	2.50 (63.5)	5.70 (144.8)	0.89 (22.6)

AseptiQuik DC Flow



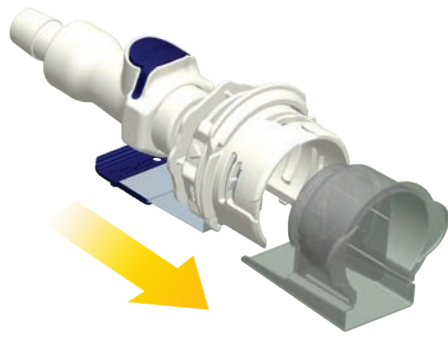
This graph is intended to give you a general idea of the performance of the product.

Mates with standard AseptiQuik halves.

- AQCDC Inserts mate with standard AQC Bodies
- AQCDC Bodies mate with standard AQC Inserts

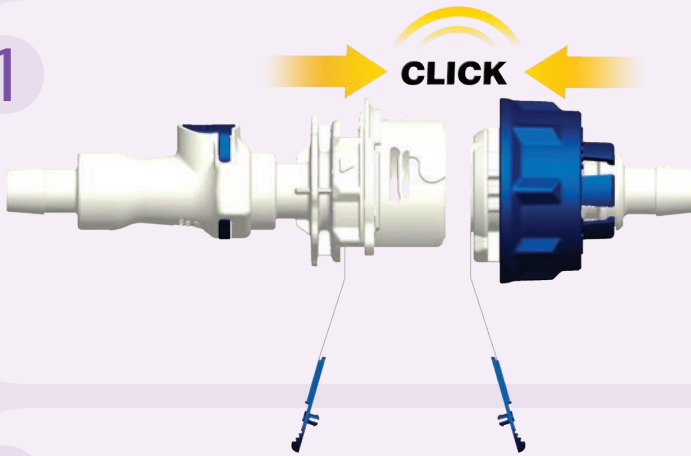
Visit us at www.colder.com/aseptiquik or call 651-645-0091 for more information.

Pre-Assembly Cap Removal



CLICK-PULL-TWIST Assembly Procedure

1



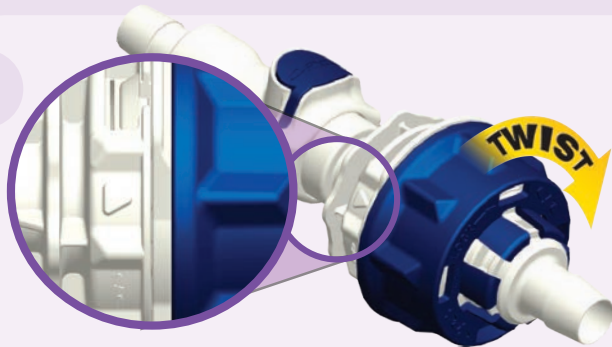
Align male and female couplings, push together until audible "Colder Click" confirmation. Slight rotation of lock ring may be required for proper alignment prior to connection.

2

Snap membrane pull tabs together and pull from connector.



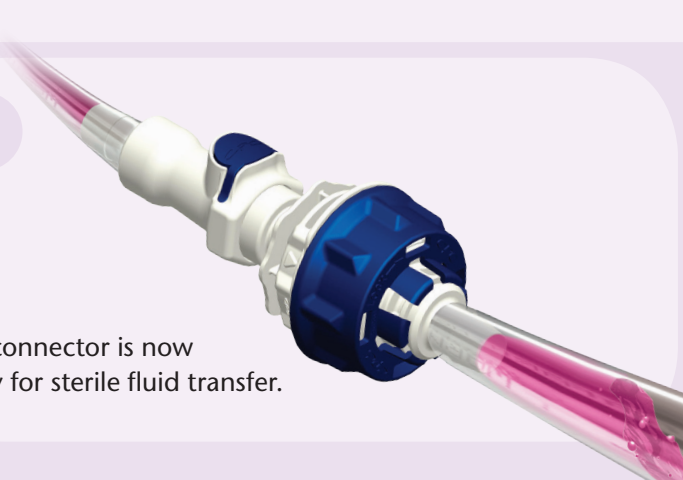
3



Twist the blue lock ring clockwise until audible "Colder Click." Alignment of the lock ring rib with the body's arrow indicator confirms final connection.

4

The connector is now ready for sterile fluid transfer.



5

When fluid transfer is finished, press the thumb latch down to complete the sterile disconnection. Both halves will remain sterile.





COLDER PRODUCTS COMPANY

Colder Products Company is the leader in the design and manufacture of single-use connection technology and connectors for the life sciences markets. Colder offers a wide variety of bioprocessing solutions including sterile connect, sterile disconnect, SIP connections and quick connects. Our innovative designs provide flexibility for biopharmaceutical manufacturers to easily combine multiple components, single-use or hybrid systems including process containers, tubing manifolds, transfer lines, bioreactors and other bioprocess equipment.

Robust and easy-to-use single-use connectors from Colder maintain flow path sterility and integrity while enabling biopharmaceutical manufacturers to improve production yields, decrease time-to-market and reduce costs. Colder is ISO 13485 certified and our products for bioprocessing applications are manufactured in an ISO Class 7 certified cleanroom.

For applications where reliability and sterility are a must, Connect with Colder.

Founded in St. Paul, Minn. in 1978, Colder offers more than 7,500 standard and custom products with offices in nine countries and distributor representation in North America, Europe, Asia, South America and Australia. Colder is a Dover company.



Colder Products Company
1001 Westgate Drive
St. Paul, Minnesota 55114
U.S.A.

Phone: 651-645-0091
Fax: 651-645-5404
Toll Free: 800-444-2474
info@colder.com
www.colder.com

Colder Products Company GmbH
Schmalweg 50
D-55252 Mainz-Kastel
Germany

Phone: +49-6134-2878-0
Fax: +49-6134-287828
cpcgmbh@colder.com
www.colder.com

Colder Products Company Limited
Flat B, 29/F, West Gate Tower,
7 Wing Hong Street, Cheung Sha Wan,
Hong Kong

Phone: 852-2987-5272
Fax: 852-2987-2509
asiapacific@colder.com
www.colder.com

Distributed BY:

Colder Patent Statement: Colder Products Company takes pride in its innovative quick disconnect coupling solutions, many of which have been awarded United States and International patents. Colder Products Company has a strong tradition of leadership in the quick disconnect market, and aggressively pursues and protects its proprietary information and intellectual property. In cases where it is practical and as a benefit to its customers, Colder Products Company has licensed its proprietary technology. Please contact Colder Products to discuss your unique needs.

CPC Warranty Statement: Colder Products Company warrants its products against defects in workmanship and materials a period of 12 months from the date of sale by Colder Products Company to its initial customer (regardless of any subsequent sale of the products). This warranty is void if the product is misused, altered, tampered with or is installed or used in a manner that is inconsistent with Colder Product Company's written recommendations, specifications and/or instructions, or fails to perform due to normal wear and tear. Colder Products Company does not warrant the suitability of the product for any particular application. Determining product application suitability is solely the customer's responsibility. Colder Products Company is not liable for special, indirect, incidental, consequential or other damages including, but not limited to, loss, damage, personal injury, or any other expense directly or indirectly arising from the use of or inability to use its products either separately or in combination with other products. ALL OTHER WARRANTIES EXPRESS OR IMPLIED, WHETHER ORAL, WRITTEN OR IN ANY OTHER FORM, INCLUDING BUT NOT LIMITED TO WARRANTIES OF MERCHANTABILITY OR FITNESS FOR A PARTICULAR PURPOSE, ARE EXPRESSLY EXCLUDED.

The sole and exclusive remedy under this warranty is limited, at the option of Colder Products Company, to replacement of the defective product or an account credit in the amount of the original selling price. All allegedly defective Colder Products Company products must be returned prepaid transportation to Colder Products Company, together with information describing the product's application and performance, unless otherwise authorized in writing by Colder Products Company.

WARNING: Due to the wide variety of possible fluid media and operating conditions, unintended consequences may result from the use of this product, all of which are beyond the control of Colder. It is the user's responsibility to carefully determine and test for compatibility for use with their application. All such risks shall be assumed by the buyer.